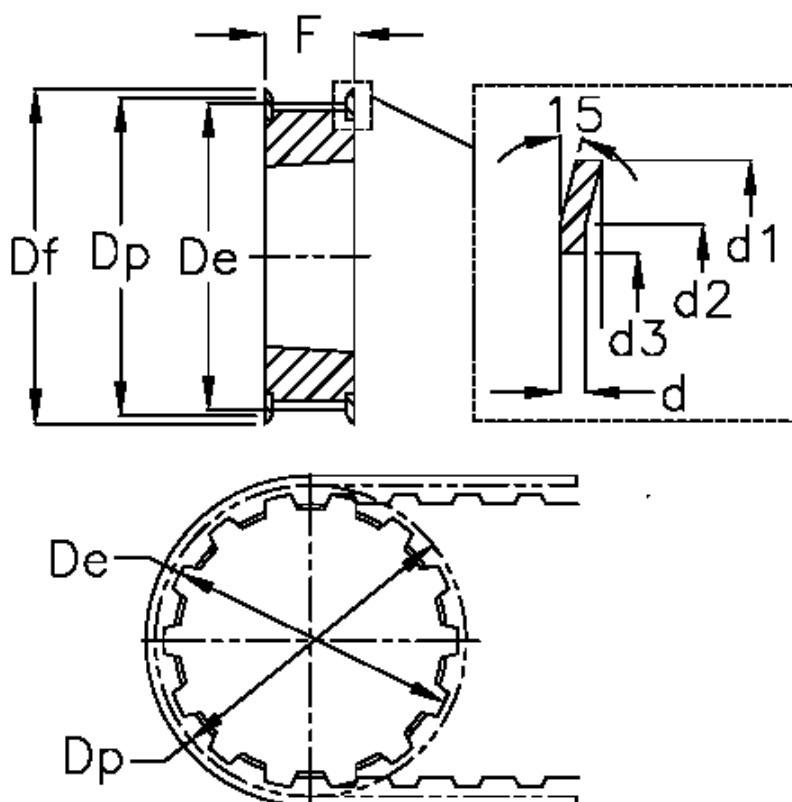


Article number: 604132038030

Description: Taper bored timing belt pulley
HTD 38 8M 30 TL 1615

Measures



$d = 1.5$	Flange type = F34
$d1 = 102$	For bushing = 1615
$d2 = 97$	Max bore = 42
$d3 = 82.5$	S = 38
$De = 95.39$	Tooth number = 38
$Df = 102$	Type = 8M
$Dp = 96.77$	Weight = 1.15
$F = 38$	Width = 30